

Zafira Price Guide

2011 Model Year Recommended prices and specification for the Republic of Ireland



Wir leben Autos.



Effective 1 December 2010

Zafira prices

5-DOOR MPV

Model	Tax* band	RRP** (€)
ZAFIRA LIFE		
1.6i 16v VVT	D	26360
1.6i 16v VVT (a/c)	D	27105
1.8i 16v VVT	D	29105
1.8i 16v VVT Easytronic	D	30105
1.7CDTi 16v (110PS) ecoFLEX	B	27495
1.7CDTi 16v (125PS)	B	28495
ZAFIRA CLUB		
1.6i 16v VVT	D	28145
1.8i 16v VVT	D	30145
1.7CDTi 16v (110PS) ecoFLEX	B	28545
1.7CDTi 16v (125PS)	B	29545

5-DOOR MPV

Model	Tax* band	RRP** (€)
ZAFIRA DESIGN		
1.8i 16v VVT	D	32600
1.8i 16v VVT Easytronic	D	33600
1.7CDTi 16v (110PS) ecoFLEX	B	30990
1.7CDTi 16v (125PS)	B	31990
ZAFIRA ELITE		
1.6i 16v VVT	D	32600
1.8i 16v VVT	D	34600
1.7CDTi 16v (110PS) ecoFLEX	B	32990
1.7CDTi 16v (125PS)	B	33750
ZAFIRA SRI		
1.8i 16v VVT	D	33100

* = Please note, taxes are levied at different rates dependent on CO₂ emissions. A (0-120g/km) = 14%, B (121-140g/km) = 16%, C (141-155g/km) = 20%, D (156-170g/km) = 24%, E (171-190g/km) = 28%, F (191-225g/km) = 32%, G (226g/km and above) = 36%.

** = Recommended Retail Prices (RRP) quoted are ex-works.

Includes Vehicle Registration Tax and VAT, excludes number plates and delivery charges. Prices effective December 1, 2010. Prices subject to alteration or change without notice or obligation.

Effective 1 December 2010

Zafira options

	Life	Club	Design	Elite	SRi	Prices including taxes* (€)	
						B	D
OPTION PACKS							
OPC Line One Styling Pack • Body-colour lower front spoiler/rear lower skirt/rear roof spoiler and side sills			○	○	○	1001	1092
Leather Pack • Electrically heated sports front seats with tilt and lumbar adjustment • Front passenger's seat height adjuster • Leather seat facings • Driver's armrest				●	○	1725	1884
Seat Comfort Pack Two • Front passenger's seat with height, tilt and lumbar adjustment				●	○	165	180
Panoramic Roof Pack¹ • Roof-mounted storage consoles for front and rear passengers • Heat-reflective windscreen • Four glass roof panels • Alloy-effect roof rails ²			○	○	○	1453	1586
Towing Pack³ • Trailer stability programme • Hill Start Assist (HSA) • Deflation Detection System (DDS) • Cruise control • Detachable tow bar			○	○	○	590	645
FlexOrganiser[®] Pack • 3D storage net • Side net pocket • Four side rail hooks • Four side rails		○	○	○	○	93	101
Technical Pack • Mobile phone system with Bluetooth [®] (does not include phone or cradle) ⁴ • Graphic display • Cruise control		○	○		○	468	511
SECURITY OPTIONS							
Keyless entry and start		○	○	○	○	501	547
Remote control ultrasonic security alarm system	○ ⁵	○	○	○	●	456	498
MECHANICAL OPTION							
Interactive Driving System-plus (IDS-plus) with Continuous Damping Control (CDC)					○	–	843
INTERIOR OPTIONS							
Electronic Climate Control (ECC)		○		●	○	501	547
Cruise control		○	○	●	○	364	397
Vertical load-restraining net	○	○	○	○	○	255	279

Prices effective as of December 1, 2010. Prices are subject to alteration without notice or obligation. ○ = Optional at extra cost. ● = Standard equipment.

1 = Deletes sunglasses holder. 2 = Must be used with a separate base carrier (available as an Opel accessory) if luggage is to be carried on the roof. 3 = Requires 13-pin adaptor (available as an Opel accessory). 4 = Please consult your Opel dealer for details of phone cradle. 5 = Includes map reading light, sunvisors with illuminated vanity mirrors and rear reading lights.

* = Please note, taxes are levied at different rates dependent on CO₂ emissions. A (0-120g/km) = 14%, B (121-140g/km) = 16%, C (141-155g/km) = 20%, D (156-170g/km) = 24%, E (171-190g/km) = 28%, F (191-225g/km) = 32%, G (226g/km and above) = 36%.

Effective 1 December 2010

Zafira options continued

	Life	Club	Design	Elite	SRI	Prices including taxes* (€)	
						B	D
EXTERIOR AND CONVENIENCE OPTIONS							
Electrically foldable door mirrors			○	○	○	183	200
Adaptive Forward Lighting (AFL) incorporating bi-xenon headlights with dynamic beam levelling and high-pressure washers			○	○	○	1272	1388
Front fog lights	○	●	●	●	●	228	250
16-inch 10-spoke alloy wheels with 205/55 R 16 ultra-low profile tyres		○				93	101
18-inch five-spoke alloy wheels with 225/40 R 18 ultra-low profile tyres					○	–	595
Full-size spare wheel (in lieu of emergency tyre inflation kit)	○	○	○	○ ⁶	○	139	151
Front and rear parking distance sensors		○	○	○	○	682	744
Two-coat metallic or pearlescent paint	○	○	○	○	○	525	525
AUDIO AND COMMUNICATION OPTIONS							
CD 30 MP3 • CD player with MP3 format • Stereo radio • Auxiliary-in socket	○ ⁷	●	○	●	○	110	120
CDC 40 • Integral six-disc CD autochanger with MP3 format • Stereo radio • Graphic display			○ ⁸	○ ⁸	○	608	664
CDC 40 DAB • Integral six-disc CD autochanger with MP3 format • Stereo radio with Digital Audio Broadcast (DAB) • Graphic display		○	○ ⁹	○ ⁹		703	767
CD 70 • Satellite navigation system • CD player with MP3 format • Stereo radio • Auxiliary-in socket • Colour monitor	○ ^{5,7}		○	○	○	1272	1388
Rear seat Twin Audio [®] system ¹⁰		○	○	○	○	183	199
Mobile phone system with Bluetooth [®] (does not include phone or phone-specific cradle) ⁴	○ ^{5,7}	○	○	○	○	501	547

Prices effective as of December 1, 2010. Prices are subject to alteration without notice or obligation. ○ = Optional at extra cost. ● = Standard equipment.

⁴ = Please consult your Opel dealer for details of phone cradle. ⁵ = Includes map reading light, sunvisors with illuminated vanity mirrors and rear reading lights. ⁶ = Not available in conjunction with optional 18-inch alloy wheels. ⁷ = Includes steering wheel mounted audio controls. ⁸ = Only available in conjunction with OPC Line One Styling Pack. Deletes auxiliary-in socket (where fitted). ⁹ = Not available in conjunction with OPC Line One Styling Pack. Deletes auxiliary-in socket (where fitted). ¹⁰ = Only available in conjunction with optional audio units. Deletes auxiliary-in socket (where fitted).

* = Please note, taxes are levied at different rates dependent on CO₂ emissions. A (0-120g/km) = 14%, B (121-140g/km) = 16%, C (141-155g/km) = 20%, D (156-170g/km) = 24%, E (171-190g/km) = 28%, F (191-225g/km) = 32%, G (226g/km and above) = 36%.

Zafira technical data

Petrol engines

	1.6i 16v VVT	1.8i 16v VVT
Capacity	1598cc	1796cc
Maximum power*	115PS (85kW) @ 6000rpm	140PS (103kW) @ 6300rpm
Maximum torque	155Nm (114 lb.ft.) @ 4000rpm	175Nm (129 lb.ft.) @ 3800rpm
Configuration	4 cylinders, 4 valves per cylinder. Double overhead camshafts	
Fuel/induction system	Variable Valve Timing (VVT). Multi-point sequential fuel injection	
Emission compliance	Euro 5	
Service interval	30,000km or 1 year (whichever occurs sooner)	

Diesel engines

	1.7CDTi 16v (110PS) Turbo diesel	1.7CDTi 16v (125PS) Turbo diesel
Capacity	1686cc	1686cc
Maximum power*	110PS (81kW) @ 3800rpm	125PS (92kW) @ 4000rpm
Maximum torque	260Nm (192 lb.ft.) @ 2300rpm	280Nm (206 lb.ft.) @ 2300rpm
Configuration	4 cylinders, 4 valves per cylinder. Double overhead camshafts	
Fuel/induction system	Variable geometry turbocharger with intercooler. Common rail fuel injection	
Emission compliance	Euro 5	
Service interval	30,000km or 1 year (whichever occurs sooner)	

* = To calculate BHP divide the PS figure by 1.0136.

Zafira technical data

Smarter driving tips

- **Drive at an appropriate speed:** – Staying within the speed limit increases driver safety, reduces CO₂ emissions and saves fuel. At 115km/h you could be using up to 9% more fuel than at 100km/h and up to 15% more fuel than at 80km/h
- **Drive smoothly at all times:** – Anticipate the ebb and flow of the traffic to avoid harsh acceleration and braking
- **Reduce your revs:** – Change gear earlier to help reduce fuel consumption – try 2500rpm with petrol engines and 2000rpm with diesel
- **Idling is wasting fuel:** – If you're likely to be at a standstill for more than three minutes, switch off the engine to save fuel
- **Regularly check your tyre pressures:** – Under inflated tyres increase CO₂ emissions whilst incorrectly inflated tyres can be unsafe. Always check your handbook for the correct tyre pressure. This will also help to increase the life of your tyres
- **Remove unnecessary items from the car:** – Extra weight increases the engine's workload which in turn burns more fuel and increases CO₂ emissions

Performance, fuel economy and emissions

	Performance (manufacturer's figures)		Fuel economy litres/100km (mpg)			CO ₂ emissions g/km
	Maximum speed km/h (mph)	Acceleration (sec) 0-100km/h	Urban driving	Extra- urban driving	Combined figure	
Manual gearbox						
1.6i 16v VVT	185 (115)	13.4	8.7 (32.5)	5.5 (51.4)	6.7 (42.2)	157
1.8i 16v VVT	197 (122)	11.5	9.6 (29.4)	5.7 (49.6)	7.2 (39.2)	168
Manual 6-speed						
1.7CDTi 16v (110PS) ecoFLEX	179 (111)	13.4	6.1 (46.3)	4.5 (62.8)	5.1 (55.4)	134
1.7CDTi 16v (125PS)	189 (117)	12.3	6.1 (46.3)	4.5 (62.8)	5.1 (55.4)	134
Easytronic 5-speed						
1.8i 16v VVT	197 (122)	12.9	9.6 (29.4)	5.5 (51.4)	7.0 (40.4)	164

Fuel consumption and CO₂ emission data complies with the relevant EU regulations. **Important:** the results given relate to the particular vehicle tested; inevitably there are differences between individual vehicles of the same model. Driving style, road and traffic conditions, vehicle mileage and standard of maintenance may also affect fuel consumption.

* = Manufacturer's figures.

Weights and towing data kg

	Gross vehicle weight	Max. towing weights Trailer with brakes (without brakes)
1.6i 16v VVT Life/Club/Elite	2090	1000 (750)
1.8i 16v VVT Life (inc. Easytronic)	2095	1200* (750)
1.8i 16v VVT Club	2095	1200 (750)
1.8i 16v VVT Design/Elite (inc. Easytronic)	2095	1200* (750)
1.8i 16v VVT SRi	2095	1200 (750)
1.7CDTi 16v (110PS) Life/Club/Design/Elite	2175	1300 (750)
1.7CDTi 16v (125PS) Life/Club/Design/Elite	2175	1400 (750)

* = On models fitted with the optional Easytronic transmission the maximum towing weight for a trailer with brakes is 1300kg.

Gross vehicle weight is the total permissible weight of the vehicle including passengers and their luggage. The **maximum roof rack loading** should not exceed 75kg. The **maximum towing weights** are based on the ability of the car, with two occupants of 75kg each, to restart on a 12% gradient, which is approximately 1 in 8.3, at sea level. At altitudes above 1500 metres, the engine output may drop with a corresponding reduction in towing capability. Any extra weight, such as luggage or additional passengers, should be deducted from the maximum towing weight. With a trailer fully loaded, **maximum noseweight** should not exceed 75kg. Always fit Opel towing attachments and accessories available from your Opel dealer. They are designed specifically for Opel models and carry a 24-month guarantee.

Zafira technical data

Optional transmissions

Five-speed Easytronic transmission

– **1.8i VVT 16v models:** Easytronic is a five-speed manual gearbox with a fully automatic mode. In manual mode you simply push the lever forward or back to shift gears up or down, while the fascia display tells you what gear you're in. Switch to fully automatic mode and you'll have many of the features of a regular automatic, including kickdown. Since there's no clutch pedal, Easytronic is ideal for effortless town driving.

Anti-corrosion warranty

- 12-year body panel anti-perforation warranty

Brakes

- Anti-lock Braking System (ABS)
- Dual circuit, diagonally split braking system

1.6i 16v VVT/1.8i 16v VVT

Front ventilated discs: 280mm diameter

Rear discs: 264mm diameter

1.7CDTi 16v (110PS/125PS)

Front ventilated discs: 308mm diameter

Rear discs: 264mm diameter

Wheels and tyres

Life – 16-inch steel wheels with 205/55 R 16 tyres.

Club – 16-inch multi-spoke alloy wheels with 205/55 R 16 tyres.

Design/Elite – 16-inch seven twin-spoke alloy wheels with 205/55 R 16 tyres (1.6i 16v/1.8i 16v VVT/1.7CDTi 16v (110PS) (125PS) models).

SRi – 17-inch five-spoke alloy wheels with 225/45 R 17 tyres.

- Emergency tyre inflation kit included in lieu of spare wheel

Fuel tank capacity

- All models – 58 litres (12.8 gallons)

Steering

- Electro-hydraulic power-assisted steering
- Turning circle (kerb-to-kerb):
All models – 11.10m (36.4ft.)

Suspension

Front: Independent. Lightweight MacPherson struts with gas-pressure dampers and coil springs. Anti-roll bar. Hydro-formed subframe offers increased lateral stiffness. Hydraulic control arm bushing gives improved insulation from road noise.

- SRi – Interactive Driving System with Continuous Damping Control, optional at extra cost

Rear: Lightweight torsion beam rear axle with one-piece, hollow cast trailing arms. Built-in anti-roll bar. Progressive-rate double conical mini-block springs and gas-pressure dampers.

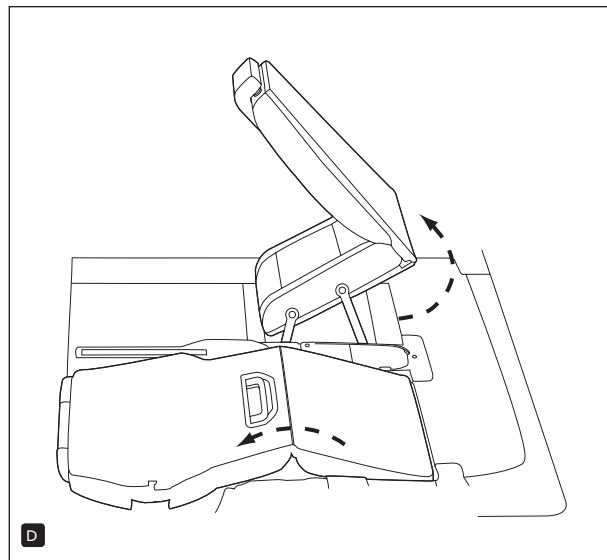
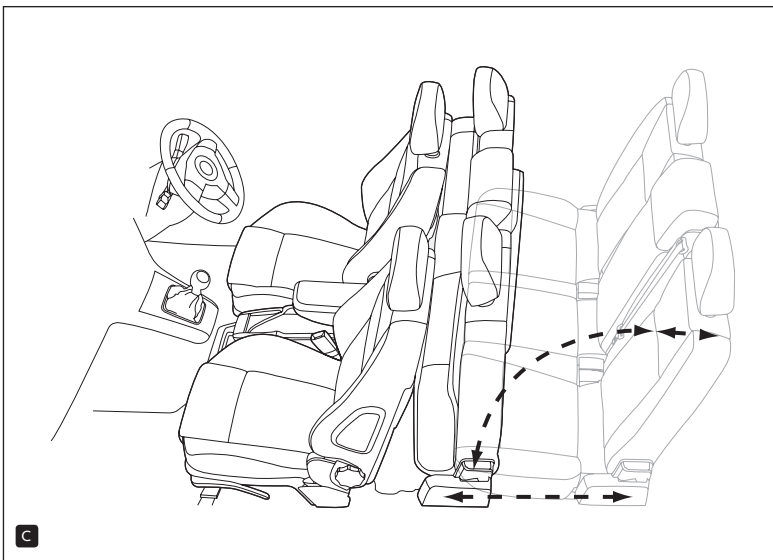
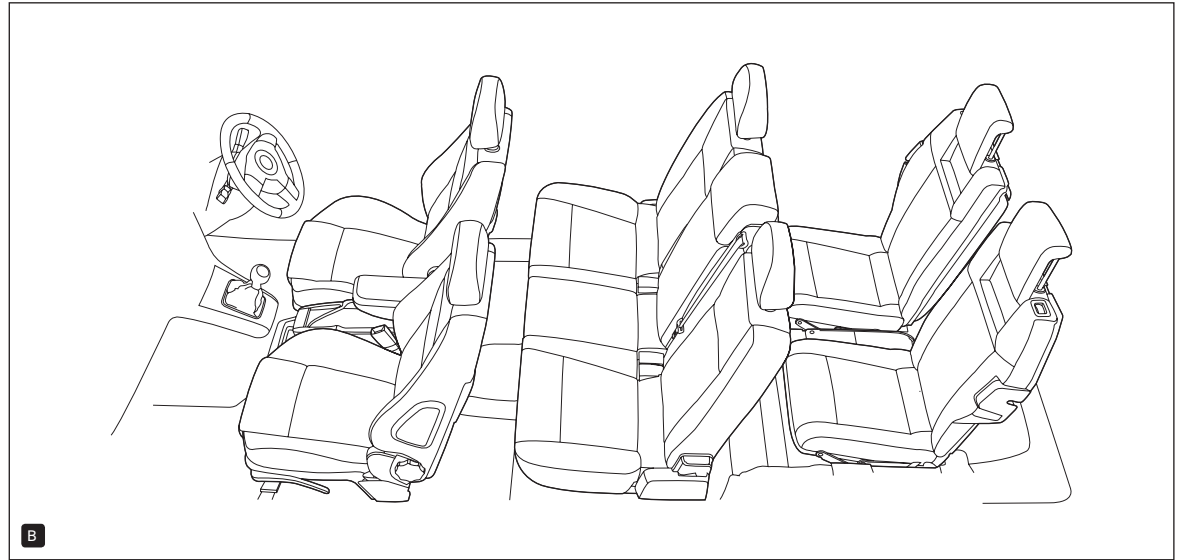
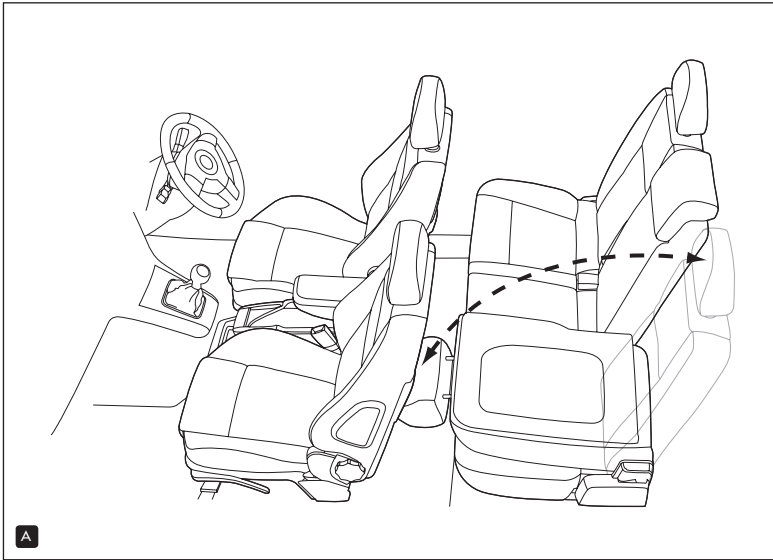
- SRi – Interactive Driving System with Continuous Damping Control, optional at extra cost

Body

- Aerodynamic drag co-efficient: Cd 0.31

Zafira technical data

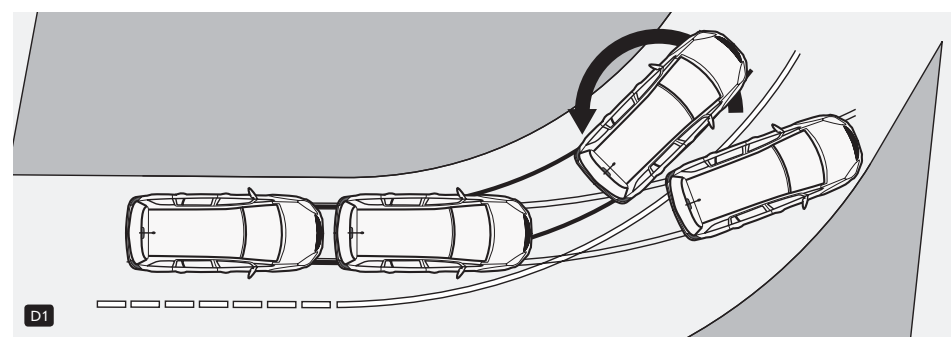
Flex7® seat configurations



- A. Second-row seat backs can be folded individually if required.
- B. All seven seats in use.
- C. Second-row seats folded and stowed.
- D. Third-row seats stow in floor, creating a flat luggage area.

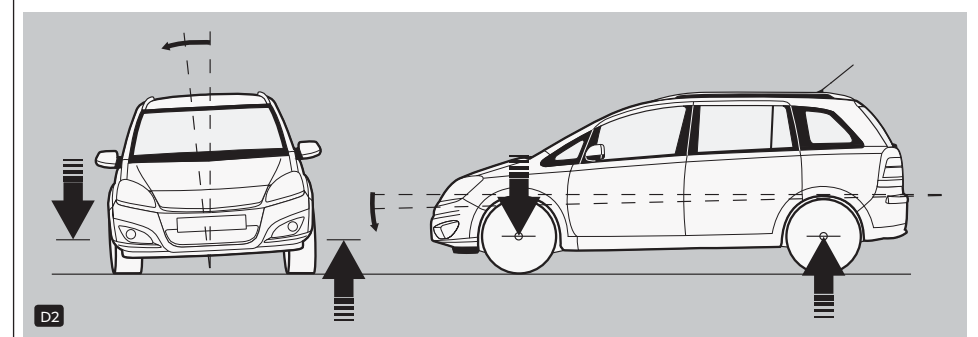
Zafira technical data

Features explained



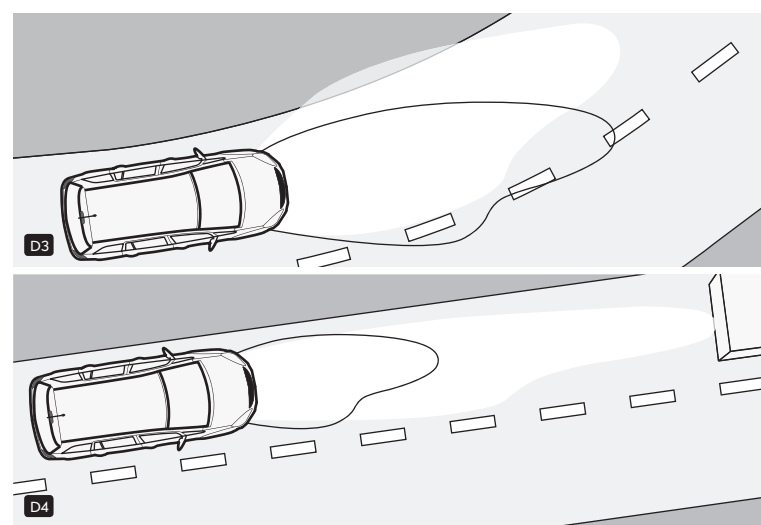
Electronic Stability Programme-plus (ESP-plus)

D1. ESP-plus provides enhanced yaw compensation during understeer or oversteer. It works by monitoring the front and rear of the car and comparing their respective directions of travel with the input through the steering wheel. If the vehicle starts to slide, ESP-plus applies corrective braking to the appropriate wheel, or wheels, compensating for the slide and helping you regain control more rapidly. ESP-plus offers additional safety in the form of two-way traction control, which helps prevent the driving wheels from spinning, under acceleration, on slippery surfaces.



IDS-plus with Continuous Damping Control (CDC)

D2. The Interactive Driving System (IDS-plus) chassis – available on SRi models at extra cost – offers the Zafira driver an even more sporting driving experience, thanks mainly to the electronic control of the suspension. Pressing the Sport switch activates the CDC function – CDC monitors the roll, pitch and yaw of the car, and changes the rate of damping on each wheel to optimise the handling, selectively stiffening the suspension. This means the vehicle will exhibit a reduced rate of roll and pitch, making it more responsive during direction changes and more settled during the braking/turn-in/acceleration transition when cornering.



Bi-xenon Adaptive Forward Lighting (AFL)

Adaptive Forward Lighting is a sophisticated new lighting system that allows drivers to see around corners. AFL utilises powerful bi-xenon headlights – which offer up to three times more light output than conventional halogen headlights – to enable the full benefit of the system's advantages to be appreciated. While standard xenon headlights provide only dipped beam lighting (main beam illumination still uses conventional halogen lights), bi-xenon units provide both dipped and main beam from a single lighting unit. The package is completed by high-pressure headlight washers and dynamic beam levelling.

Curve light

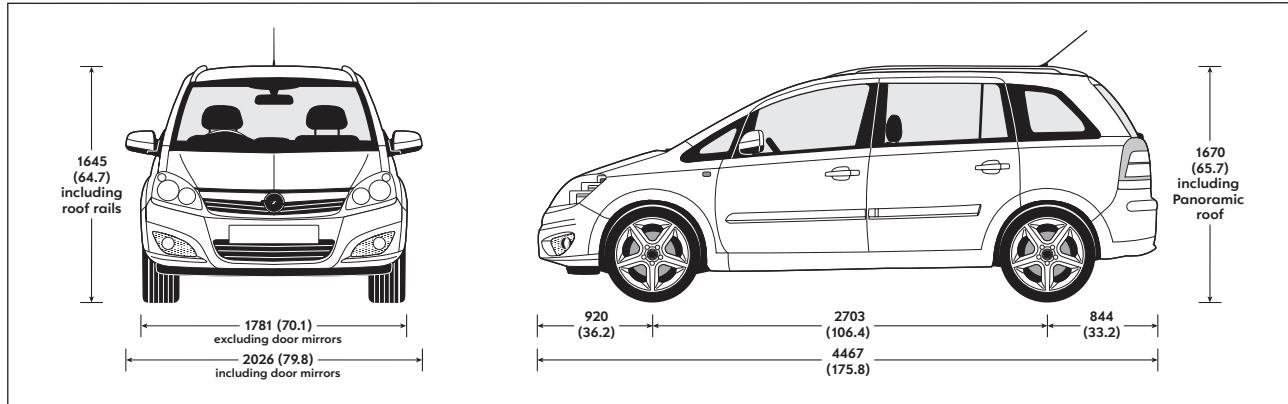
D3. Controlled by a combination of steering wheel movement and sensors for the vehicle's speed and yaw angle, the Curve light function allows the headlight beam to move up to 15 degrees left or right of the straight ahead position. This ensures the light is always following the trajectory plotted by the front wheels, rather than simply pointing straight ahead.

Motorway light

D4. At speeds above 105km/h, AFL raises the dipped headlight beam to extend the range of vision for increased safety at higher speed. The beam automatically returns to its normal position when the car falls below that speed.

Zafira technical data

Exterior dimensions millimetres (inches)



Loadspace dimensions millimetres (inches)

Maximum floor length – behind front seats, second-row seat back lowered	1809 (71.2)
Maximum floor length – behind front seats, second-row seat folded and stowed	1525 (60.0)
Maximum floor length – behind second-row seat	1088 (42.8)
Maximum floor length – behind third-row seat	405 (15.9)
Maximum floor width	1114 (43.9)
Width between wheel arches	1071 (42.2)
Tailgate aperture height	893 (35.2)
Tailgate aperture width	1136 (44.7)

Luggage capacities* litres (cu.ft.)

Behind third-row, to glass line	140 (4.9)
Behind second-row, to glass line	645 (22.8)
Behind front seats, to glass line	1070 (37.8)
Behind front seats, to roof	1820 (64.3)

* = Measured using the ECIE method.

www.opel.ie

Every effort has been made to ensure that the contents of this publication were accurate and up-to-date at the time of publication (December 2010). Opel vehicles are equipped with components manufactured by various General Motors operating units and outside suppliers. The Company reserves the right to change specifications and withdraw products from sale without notice. Any such alterations will be notified to Opel dealers at the earliest opportunity; please consult your local dealer for the latest information. The specifications detailed within this brochure are not necessarily applicable to alternative models such as Special Editions. Details of any such models will be contained in specific literature or found on the Opel website. Please note that Opel dealers are not the agents of General Motors Ireland Limited and are not authorised to bind the Company by any specific or implied undertaking or representation. It is advisable to ensure that your motor insurance policy provides adequate cover for additional fitted options and accessories. All rights reserved. No part of this publication may be reproduced in any form or by any means, without the prior written permission of General Motors Ireland Limited.