

ASTRA VAN

PRICES AND OPTIONS

2019 models. Prices effective 31 August 2018



ASTRA VAN RANGE HIGHLIGHTS

ASTRA VAN S

Highlights

- Air conditioning
- Bluetooth® audio / mobile phone
- Hill start assist
- LED daytime running lights
- Automatic lighting control

Infotainment:

- R300 BT radio
- AM/FM Radio
- Bluetooth® phone and music streaming
- USB connection for Smartphone/MP3 music connectivity
- Graphic information display
- Four speakers

Interior/styling features:

- Height-adjustable head restraints
- Steering column adjustable for reach / rake

Exterior/styling features:

- Electrically operated front windows
- Electrically adjustable/heated door mirrors
- Remote control central locking
- Door-to-door illumination
- Tyre inflation kit in lieu of spare wheel
- 16-inch steel wheels with flush covers

Safety features:

- Electronic Stability Programme (ESP)
- Anti-lock Braking System (ABS)
- Hill start assist
- Six airbags
- Tyre pressure warning light
- Half-height steel bulkhead

ASTRA VAN SPORTIVE

Highlights

- Satellite navigation
- Smartphone projection
- Forward collision alert
- Traffic sign recognition
- Lane departure warning / lane assist

Infotainment:

- Navi 900 IntelliLink
- DAB/FM/AM Radio
- 8-inch colour touchscreen
- Satellite navigation
- Smartphone connectivity for your phone, messaging, music, maps and apps
- Apple CarPlay™ and Google Android Auto™ app projection
- Siri / Google Now voice command for phone, messaging, music, maps and calendar
- Steering wheel controls for phone, music and cruise control
- Bluetooth® phone, messaging and music streaming
- USB connection
- Six speakers

Interior/styling features:

As Astra Van S, plus:

- Leather-covered steering wheel
- Sports-style front seats
- Driver's ergonomic active seat (AGR-approved*)
- Adjustable front armrest

Exterior/styling features:

As Astra Van S, plus:

- Automatic lighting / wipers
- Automatic anti-dazzle rear-view mirror
- Front fog lights
- 17-inch 5 twin-spoke alloy wheels

Safety features:

As Astra Van S, plus:

- Driver Assistance Pack One
 - Forward collision alert
 - Traffic sign recognition
 - Follow distance indicator
 - Lane departure warning / lane assist
- Remote control alarm system

* = AGR (The Campaign for Healthier Backs) is an independent centre of excellence for ergonomics, based in Germany.

ASTRA VAN PRICES

Trim	Engine	Transmission	CO ₂ (g/km)	GVW (kg)	Payload (kg)	RRP inc. VAT & VRT €*
DIESEL ENGINES						
S	1.6CDTi (110PS) S/S ecoTEC	Manual	107	1865	580	21,895
Sportive	1.6CDTi (136PS) S/S	Manual	118	1875	590	25,295
Sportive	1.6CDTi (136PS)	Automatic	126	1900	611	26,295

* = Please note there will be an additional conversion charge invoice for €550 plus vat in addition to the above charge for the vehicle. S/S = Start/Stop.

The above is for information purposes only as our products are continually updated and changes may be made to the specifications at any time. If you require any specific feature, you must consult your authorised Opel dealer who is regularly updated with any change in specification. Specifications are subject to change without notice.

RRP does not include recommended delivery charge of €700 or Conversion charge of €550. This price includes the recommended cost of PDI, number plates and delivery to an Opel Dealer.

The recommended delivery charge does not include fuel supplied by the dealer, Motor insurance or any other goods or services supplied by agreement between the Dealer and the customer.

Prices effective 31.8.18. Prices subject to alteration or change without notice or obligation.

OPTIONS

Recommended Retail Prices including Taxes

	S	Sportive	
OPTION PACKS			
S Plus Pack • R 4.0 IntelliLink (7-inch colour touchscreen with DAB/FM/AM Radio / Smartphone connectivity for your phone, messaging, music, maps and apps / Apple CarPlay™ and Google Android Auto™ app projection / Siri / Google Now voice command for phone, messaging, music, maps and calendar / Steering wheel controls for phone, music and cruise control / Bluetooth® phone, messaging and music streaming / USB connection / Six speakers) • Cruise control with speed limiter • Front fog lights • 16-inch structure wheels with 205/55 R 16 tyres	○		€500
IntelliLux LED Matrix headlights • Dipped beam • Main beam and dynamic lighting (16 electronically controlled LED lights) • Front camera system • Intelligent main beam control • Automatic headlight levelling • LED tail lights		○	€1350

	S	Sportive	
OPTION PACKS			
Parking Pack¹ • Front and rear parking distance sensors • Advanced park assist • Side blind spot alert • Electrically foldable door mirrors • Rear-view camera		○	€1000
Winter Pack • Heated leather-covered steering wheel • Heated front seats		○	€500
Towing Pack • Detachable tow bar • Trailer stability programme	○	○	€800
INTERIOR OPTIONS			
Dual-zone electronic climate control incorporating air conditioning		○	€400
Keyless entry and start		○	€550
Electric parking brake		○	€300

Prices effective as of 31.8.18. Prices are subject to alteration without notice or obligation.

○ = Optional at extra cost.

OPTIONS

Recommended Retail Prices including Taxes

	S	Sportive	
EXTERIOR AND CONVENIENCE OPTIONS			
Power tilt and slide sunroof		○	€650
Front and rear parking distance sensors ²	○	○	€250
Front fog lights	○	●	€175
LED tail lights ³		○	€300
16-inch structure wheels	○		€200
18-inch five twin-spoke alloy wheels		○	€550
Steel emergency spare wheel (in lieu of emergency tyre inflation kit) ⁴	○	○	€150
Brilliant paint	○	○	€155
Two-coat metallic paint	○	○	€600
Premium paint	○	○	€750

	S	Sportive	
AUDIO AND COMMUNICATION OPTIONS			
Navi 900 IntelliLink • DAB/FM/AM Radio • 8-inch colour touchscreen • Satellite navigation • Smartphone connectivity for your phone, messaging, music, maps and apps • Apple CarPlay™ and Google Android Auto™ app projection • Siri / Google Now voice command for phone, messaging, music, maps and calendar • Steering wheel controls for phone, music and cruise control • Bluetooth® phone, messaging and music streaming • USB connection • Six speakers	○	●	€1250
Digital radio	○	●	€150
CD drive (only available in conjunction with Navi 900 IntelliLink)	○	○	€165
OnStar⁵ • Emergency and crash response • Wi-Fi hotspot • Stolen vehicle alert • Smartphone vehicle diagnostics app • Destination download • Roadside Assistance call out	○	○	€500

Prices effective as of 31.8.18. Prices are subject to alteration without notice or obligation.

○ = Optional at extra cost. ● = Standard equipment.

1 = Not available in conjunction with front and rear parking distance sensors. 2 = Not available in conjunction with Parking Pack. 3 = Standard with optional IntelliLux LED Matrix headlights. 4 = Loadspace capacity is reduced.

5 = Includes 12 months of OnStar services (excluding Wi-Fi data charges) from date of registration. Destination download feature only operates on models fitted with Navi 900 IntelliLink satellite navigation system. Roadside Assistance call out is subject to your vehicle being within its Opel Roadside Assistance cover period. If your car is out of Opel Roadside Assistance coverage or Policy Terms, the AA may charge for their time. All OnStar services and Wi-Fi services will cease to be available on 31 December 2020. No trial or paid subscriptions or services, including emergency response services, will be available after that date.

TECHNICAL DATA

DIESEL ENGINES




	1.6CDTi (110PS) Turbo diesel Start/Stop	1.6CDTi (136PS) Turbo diesel Start/Stop
Capacity	1598cc	1598cc
Maximum power	110PS (81kW) @ 3500rpm	136PS (100kW) @ 3500-4000rpm
Maximum torque	300Nm (221 lb.ft.) @ 1750-2000rpm	320Nm (236 lb.ft.) @ 2000-2250rpm
Configuration	4 cylinders, 4 valves per cylinder, double overhead camshafts	
Fuel/induction system	Turbocharger with intercooler. Common rail fuel injection	Variable geometry turbocharger with intercooler. Common rail fuel injection
Emissions compliance	Euro 6d-TEMP (6.2) with Diesel Particulate Filter	
Service intervals	30,000km or one-year (whichever occurs sooner)	

FUEL ECONOMY AND EMISSIONS

		Fuel economy litres/100km [#]			CO ₂ emissions g/km [#]
		Urban driving	Extra-urban driving	Combined figure	
Astra Van					
SC	1.6CDTi (110PS)	5.1	3.5	4.1	107
Sportive	1.6CDTi (136PS) Start/Stop	5.4	4.0	4.5	118
Sportive	1.6CDTi (136PS) automatic	6.0	4.1	4.8	126

= Fuel consumption data and CO₂ emission data are determined using the Worldwide harmonized Light vehicles Test Procedure (WLTP), and the relevant values are translated back to allow the comparability into NEDC, according to regulations R (EC) No. 715/2007, R (EU) No. 2017/1153 and R (EU) No. 2017/1151. The values do not take into account in particular use and driving conditions, equipment or options and may vary depending on the format of tyres. For more information on WLTP please see <https://www.opel.ie/wltp>

TYRE RATING

Tyre size	Fuel efficiency group	Wet grip performance	External noise	
			Measured (dB)	Group
205/55 R 16	B-C	A-C	70-71	
225/45 R 17	C	A-B	71	
225/40 R 18	E	B	70	

Tyre rating according to EU Regulation 1222/2009

Steering

- Power-assisted steering
- Turning circle (wall-to-wall):
– 11.05m (36.2ft.)

Body

Aerodynamic drag co-efficient:

Astra Van – Cd 0.285

Fuel tank capacity

48 litres (10.5 gallons)

Warranties*

Every Astra Van comes with:

- A three-year/100,000km manufacturer's warranty
- Opel Assistance for 12 months from first registration
- 12-year body panel anti-perforation warranty

* = Warranty is only available on vehicles sourced from authorised Opel Ireland dealers. Terms and conditions apply – please see your Opel dealer for details.

Transmission

Six-speed manual gearbox

Six-speed automatic transmission with ActiveSelect® function

A six-speed automatic transmission is optional on Sportive models. On the road, a wide selection of shift patterns is adapted to the style and habits of the driver, anticipating when maximum acceleration or maximum efficiency is required. The electronic control will also adapt to the prevailing road conditions, reducing gear shifting when climbing or descending and using engine braking assistance during down changes. The ActiveSelect® manual mode

allows the gear lever to be used like a sequential manual gearbox – you simply push the lever forward or back to change up or down the gears. The driver also benefits from a 'neutral' gear disengagement at idle, which reduces vibration and contributes to improved fuel consumption.

Braking and stability

- Electronic Stability Programme (ESP)
- Cornering brake control
- Straight line stability control
- Rollover mitigation
- Drag torque control
- Hill start assist
- Anti-lock Braking System (ABS)
- Emergency brake assist
- Fading brake support
- Electronic brakeforce distribution
- Adaptive brake lights

Front ventilated discs: 300mm diameter

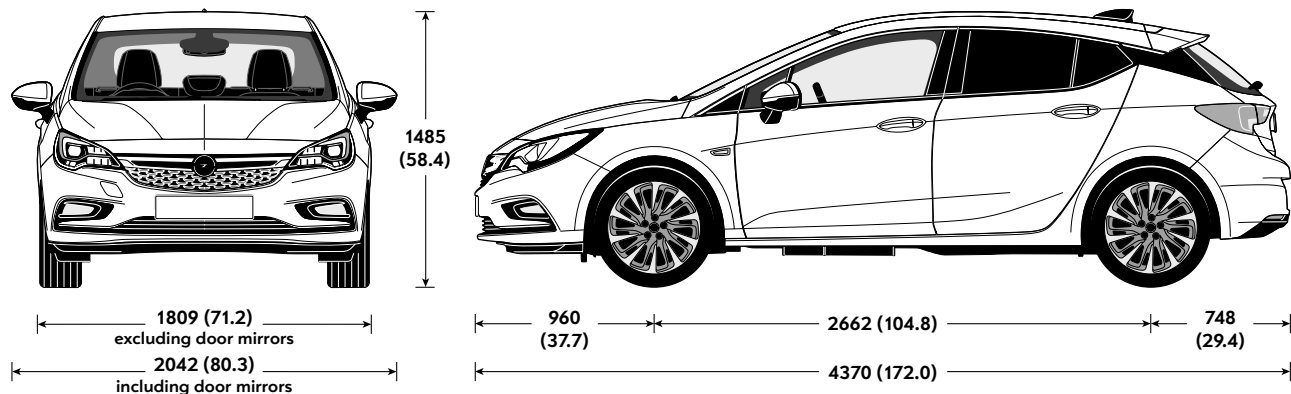
Rear discs: 264mm diameter

Suspension

Front: Independent. Lightweight MacPherson struts with gas-pressure dampers and coil springs. Anti-roll bar.
Rear: Lightweight compound crank rear axle with one-piece, hollow cast trailing arms. Built-in anti-roll bar. Progressive-rate double conical mini-block springs and gas-pressure dampers.

ASTRA VAN

EXTERIOR DIMENSIONS MM (INCHES)



Height shown unladen.

INTERIOR DIMENSIONS MM (INCHES)

Loadspace	
Maximum length	1550 (61.0)
Maximum width	1350 (53.1)
Maximum height	880 (34.6)
Width between wheel arches	1001 (39.4)

Rear Tailgate	
Aperture height	600 (23.6)
Aperture width	1015 (39.9)
Loading height (unladen)	458 (18.0)

LOADSPACE VOLUME CU.M (CU.FT.)	
VDA method	1.41 (49.8)

WEIGHTS AND TOWING DATA

Plated weights and kerbweight kg

	Front axle Plated	Rear axle Plated	Total		Payload kg	Towing weights Trailer with brakes (without brakes) kg	Plated Gross Combination Weights (GCW) kg
			GVW	Minimum Mass			
ASTRA VAN							
S 1.6CDTi (110PS)	970	910	1865	1285	580	1500 (650)	3315
Sportive 1.6CDTi (136PS) Start/Stop	980	910	1875	1285	590	1650 (650)	3400
Sportive 1.6CDTi (136PS) automatic	1020	900	1900	1289	611	1700 (650)	3400

Note: Minimum Mass ('Mass in running order' on Certificate of Conformity and 'Mass in Service' on V5C form) is defined according to European Type Approval and include all fluids, tools, 90% fuel load and driver (75kg). It is minimum mass for this variant and does not consider local specification/trim. Weights are also subject to manufacturing tolerances (EU Legislation allows 5% tolerance). Payload figures do not allow for the weight of the driver, or any passenger's, which should therefore be deducted from the figures shown. **Gross plated weights** (including axle weights) quoted on the vehicle plate are to UK and Ireland plated weight specification and must never be exceeded. **Roof load** should not exceed 75kg including the weight of the roof rack/carrier.